

CENTRAL OREGON
SPORTSMEN'S
SHOW®
& Boat/RV Sale®

Presented by  **LEUPOLD®**

MARCH 11 - 14, 2021

First Interstate Bank Center and Deschutes County
Fair & Expo Center • Redmond, Oregon

Sponsored by



PLAN YOUR NEXT
**OUTDOOR
ADVENTURE**

SHOW HOURS

Thur–Fri..... 12 p.m. – 8 p.m.
Saturday 10 a.m. – 8 p.m.
Sunday..... 10 a.m. – 4 p.m.

  /thesportshows

ADMISSION

Adults..... \$12
Juniors (6-16) \$5
Plus credit and service fees.

FREE PARKING

WE'VE WORKED HARD TO BRING THESE SHOWS
TO YOU AND WE ARE COMMITTED TO SAFETY.



TICKETED
TIMED ENTRY



MANDATORY
FACE
PROTECTION



MULTIPLE HAND
SANITIZING
STATIONS



SOCIAL
DISTANCING

LOOK INSIDE

for stories, exhibitor list, detailed floorplan and daily seminar schedules.
For complete show info, go to **THESPORTSHOWS.COM.**

REAP THE REWARDS

| 20% OFF SITE-WIDE W/ CODE PNWSS20*

NEW

CONTROLLER™ 6" FOLDING FILLET KNIFE

- SALTRX™ - ADDED CORROSION RESISTANCE
- GUIDEFINS™ - PROVIDE UNRIVALED CONTROL
- HYDROTREAD GRIP™ - ENGINEERED FOR TRACTION

NEW

RANDY NEWBERG DTS™ + SHEATH

- TENDON TOOL W/ D2 STEEL
- RETRO-REFLECTIVE MATERIAL
- BARREL CONSTRUCTION CLEANS EASILY

GERBER

*CODE VALID FROM MARCH 24 - APRIL 14

WELCOME TO A WORLD OF OUTDOOR ADVENTURE!

The majesty and magic of the outdoors captured legions of new anglers and hunters in 2020. Outdoor recreation proved to be the ultimate COVID relief measure as people took to the outdoors in new RV's, boats, boots, kayaks, tents, bikes and fishing and hunting gear intent on getting out of the house safely.

Expect 2021 to be much the same. Outdoor recreation will continue to be a safe haven for us all to enjoy. The Sportsmen's Shows have announced, "It's time to get out!", and the shows are your gateway to get your season started right.

This year you can look forward to a cavalcade of opportunity across the Northwest and beyond. The iconic Sportsmen's Show seminar series will get you pointed in the right direction. From spring chinook and public lands elk to walleye tactics and waterfowl hunting, you'll find plenty to tune-into at this year's shows.

It should come as no surprise the Sportsmen's Shows are staunch advocates of public access. This year we're proud and privileged to present as our Sportsmen's Show Ambassador, renowned public lands advocate and hunter, Randy Newberg. He hunts where you hunt. He'll be offering daily Q&A sessions, Thursday through Sunday. Check the seminar schedule for times.

Don't miss the first-ever Central Oregon Sportsmen's Show Outdoor Cooking Competition. Award-winning outdoor cooks are on-board and cooking up a storm with cooking demonstrations running all-day. You'll learn plenty watching these masters go head-to-head with championship form and recipes.

And just like every year, hundreds of businesses from across the country and globe take center stage with their outdoor products and services for you to buy...many at special show-only prices.

Welcome to the 2021 Central Oregon Sportsmen's Show we're glad and grateful you're aboard...enjoy the ride!

The O'Boys



In Oregon & Washington, RMEF completed 1,711 projects that protected or enhanced 1,349,815 acres of habitat and opened or improved access to 265,418 acres, including the 4,486-acre Cowiche III project in the foothills of the eastern Cascades.

Help us do more to ensure the future of elk and elk country!

JOIN RMEF TODAY!

RMEF.ORG | 800-CALL ELK

EXHIBITOR LIST

The exhibitor list is subject to change. Every effort has been made to ensure accuracy until and through press time. Last-minute changes or additions are at the show office. Show admission refunds will not be granted due to a change in listing.

EXHIBITOR	BOOTH		
503 DISTILLING LLC.....	243	DAVIS TENT.....	359
A TASTE OF EDEN.....	234	DAYLIGHT CREEK ADVENTURES.....	166
ACTIVE WATER SPORTS INC.....	528, 530	DELTA WATERFOWL.....	218
AIRLINK CRITICAL CARE TRANSPORT.....	225	DESCHUTES NATIONAL FOREST.....	115
ALASKAS BOARDWALK LODGE.....	161	DESCHUTES REPUBLICANS.....	318
ALL SEASONS RV & MARINE.....	46 OUTSIDE	EAGLE CHARTERS.....	267
AMERICAN PATRIOT HAT.....	316	EDGE RODS.....	148
ANNIHILATOR BROADHEADS.....	150	EDWARD JONES.....	206
B & D CUSTOM MEATS.....	118	FARMERS INSURANCE.....	279
BAJA PIRATES.....	128	FOR THE LOVE OF PASTA.....	348
BAMBOO PILLOWS.....	230, 323	FORD CREEK GUEST RANCH.....	226
BAREWEST WAKEBOARD & FISH TOWERS.....	511	FORGED ELEGANCE.....	172
BAR-LEE SETTERS.....	222	FORLOH INC.....	NORTH SISTER
BARTLETT CREEK OUTFITTERS.....	116	FORT KNOX NORTHWEST	131, HEAD & HORNS
BEAVER COACH SALES & SERVICE.....	48	FOUNDATION FOR N. AMERICAN WILD SHEEP.....	277
BEAVER CREEK OUTFITTERS.....	262	FOUR RIVERS GUIDE SERVICE.....	110
BEND FUDGE.....	340	FRANZ	FOOD COURT
BERGZICHT GAME LODGE.....	117	FW SAFARI.....	151
BEST DAMN BBQ SAUCE.....	343	GARY GRUNER CHEVROLET.....	60 OUTSIDE
BIG COUNTRY RV.....	44	GERBER GEAR.....	HEAD & HORNS
BI-MART CORPORATION.....	170	GLOBAL STAR.....	255
BITTERROOT MOUNTAIN OUTFITTERS.....	147	GODDARD KNIFE WORKS.....	346
BOW AND ROD.....	303	GORGE OUTFITTERS.....	275
BRAVO MANUFACTURING INC.....	281	GRAYS HARBOR TOURISM.....	215
BUCKSTOP TRUCKWARE.....	410	GREEN ROCKS WILDERNESS LODGE.....	207
CAMPFIRE FOODS NW.....	141	HARROD OUTDOORS LLC.....	263
CANYON OUTFITTERS.....	214	HAWAIIAN MOON.....	347
CASCADE SPIRITS.....	102	HEAT WAVES.....	235
CENTRAL CASCADES ARCHERY.....	169	HECS STEALTH SCREEN.....	238
CENTRAL OREGON FIRE PREVENTION COOP.....	112	HIGH DESERT CARVERS.....	301
CENTRAL OREGON POLE BUILDINGS.....	236	HIGH DESERT FRIENDS OF THE NRA.....	250
CENTRAL OREGON PUBLIC SAFETY CHAPLAINCY.....	311	HUNT OF A LIFETIME FOUNDATION.....	228
CENTRAL OREGON SHOOTING SPORTS ASSN.....	153	ILL FLY AWAY BALLOON ADVENTURES.....	40 OUTSIDE
CENTRAL OREGON SIDE BY SIDE.....	308	IMPERIAL YARN.....	127
CLACKACRAFT RIVER BOATS.....	144	ISLAND POINT LODGE.....	123
CLAKIT INC.....	245	ITCHA MOUNTAIN OUTFITTERS.....	244
CLICK HEAT.....	302	JOHNSONVILLE.....	FOOD COURT
COBRA TEC KNIVES.....	273	JUMPING JACK TRAILERS.....	524
COUNTRY FINANCIAL.....	121	JUNIPER SATELLITE.....	257
CROOK COUNTY VETERANS SERVICES.....	133	JUST RUM.....	304
CULVER MARINE.....	20 OUTSIDE, 514	JW WORLD RESOURCES.....	289
CUTCO CUTLERY.....	266	KAKADU TRADERS AUSTRALIA INC.....	248
DANS SMOKED SALMON.....	213	KALAHARI HUNTING SAFARIS.....	272
DANNER INC/		KAWEKA HUNTING ADVENTURES.....	130
LACROSSE FOOTWEAR	HEAD & HORNS	KUBOTA.....	526
		KUDUPOINTUSA LLC.....	242
		LAND & WILDLIFE.....	223
		LEONARD LOCATIS WOODEN PAINTINGS.....	284
		LESANTE NUTRITION.....	344
		LEUPOLD & STEVENS INSTRUMENTS INC	156,
			HEAD & HORNS
		LIFESTYLE WAKE.....	504
		LIGHTHOUSE CAVALCADE.....	351
		LOW READY DESIGN.....	252
		M & E SALES.....	321
		MADRAS MARINE.....	501, 508
		MAGIC MASSEUSE.....	320
		MAVEN.....	134
		MEL'S MARINE SERVICE INC.....	512, 513
		MERCER LAKE RESORT.....	75 OUTSIDE
		MIDSTATE POWER PRODUCTS.....	526
		MIDSTATE POWER SPORTS.....	103
		MILITARY ORDER OF THE PURPLE HEART.....	314
		MILLERS ECONOMY AUTO/CF MOTORS.....	355
		MINUTE MEN COFFEE.....	265
		MUZZY.....	HEAD & HORNS
		MVM ENTERPRISES.....	319
		NADINA GUIDE OUTFITTERS.....	138
		NESKOWIN CREEK RV RESORT/SPR OF OREGON.....	232
		NON LEAD HUNTING EDUCATION.....	268
		NORTH AMERICAN HUNTING COMPETITION.....	238
		NORTH FORK OUTDOORS/DAVE SCADDEN PONTOONS.....	163
		NORTHWEST BOAT CENTER.....	520
		NORTHWEST RETENTION SYSTEM.....	278
		NORTHWEST SAFE SALES.....	200
		NORTHWEST SCOPEPRO.....	258
		NW GREEN PANELS.....	42 OUTSIDE
		NW TACKLE SHACK.....	139
		OREGON FLAG AND POLE.....	204
		OREGON GUN OWNERS.....	229
		OREGUNSMITHING LLC.....	271
		OSPREY SCOPES.....	260
		PACIFIC BOW TARGETS.....	NORTH SISTER
		PACIFIC FIN CHARTERS.....	256
		PACIFIC SALMON CHARTERS.....	270
		PEPPER PREPPERS.....	305
		PERFORMANCE AUTHORITY.....	124
		PILGRIM'S ROASTED NUT'Z.....	307
		PILOT HOUSE DISTILLING.....	350
		POWER EDGE MOTOR SPORTS.....	355
		PREDAWN ADVENTURES.....	219

PRINEVILLE BLM.....	113	SEEK WILD.....	203	THE WET NOSE.....	325
PRO CALIBER MOTORSPORTS BEND.....	286	SELCO CREDIT UNION.....	FINANCE SPONSOR	THWACKIT OUTDOORS.....	269
PRO-LINE FABRICATION INC.....	518	SMILE A MILE PAINTING.....	312	TRACT OPTICS.....	120
PUDDING RIVER WOOD CARVING STUDIO.....	212	SMOKEY BAG JERKY.....	274	TAEGER PELLET GRILLS LLC.....	291
PURINA ANIMAL NUTRITION.....	253	SNAKE RIVER EDA.....	111	TRAILERS UNLIMITED.....	82 OUTSIDE
PURSUE THE WILD WITH KRISTY TITUS.....	220	SPENCER AIRCRAFT.....	358	TREASURE INVESTMENTS CORP.....	154
QUICK FIRE.....	341	SPORTSMANS WAREHOUSE.....	208	TWISTED HORN OUTFITTERS.....	216
RAGE.....	HEAD & HORNS	SPOT LLC.....	255	TYEE BOATS.....	510
RECRETEC MFG.....	50 OUTSIDE	STATE FARM.....	80 OUTSIDE	VETERANS OF FOREIGN WARS.....	315
REDMOND ROD AND GUN CLUB.....	241	STAY CENTER LLC.....	231	VITAMIX.....	349
RIVER TRAILS RAFTING.....	126	STEENS WILDERNESS ADVENTURES.....	246	US ARMY.....	235
RMAC POLE BUILDINGS.....	136	STRIKE MASTER SURVIVAL TOOLS.....	233	WAPITI NATION.....	345
ROCKY MOUNTAIN ELK FOUNDATION.....	129,	TEARDROPS NORTHWEST.....	84 OUTSIDE	WEB STEEL BUILDINGS NORTHWEST.....	306
	HEAD & HORNS	TED BLOCKER HOLSTERS.....	122	WESTERN CASE.....	280
ROGUE LIMITED.....	341	TEXAN KNIVES.....	140	WESTERN RANGE CAMPS.....	25 OUTSIDE
RUGER FIREARMS.....	HEAD & HORNS	THE DOGFATHER.....	309	WHISKEY FLATS GOURMET FOODS.....	119
RUGGED MAPS.....	160	THE FALLEN OUTDOORS.....	300	WILD ROOTS VODKA.....	102
RW'S BIG EDDY RESORT.....	146	THE MARKETING ARM.....	313	WILDHORSE HARLEY DAVIDSON.....	100
S D OUTFITTERS.....	239	THE OLIVE BRANCH.....	234	WOOD PELLET PRODUCTS.....	65 OUTSIDE
SAUNA DOME.....	235	THE SUNGLASS GUY INC.....	247		

OUTDOOR COOKING COMPETITION

THURSDAY

12PM	RUBS AND SAUCES DESIGN AND USE	JASON
1PM	INTRODUCTION TO DUTCH OVEN COOKING	BILL
2PM	BBQ THROWDOWN	SAFFRON VS JASON
3PM	PRESERVING - MEAT	DEBRA
4PM	MODERN SMOKING EQUIPMENT/TECHNIQUES	PAT
5PM	DUTCH OVEN THROW DOWN	PAT VS BILL
6PM	PRESERVING - MEAT CONT'	DEBRA
7PM	PLANK SMOKING AND GRILLING	SAFFRON

FRIDAY

12PM	THE COMPETE MEAT GRINDING OVERVIEW	JASON
1PM	PRESERVING - FISH	DEBRA
2PM	DUTCH OVEN THROW DOWN	BILL VS DEBRA
3PM	MASTERING THE LONG SMOKE	PAT
4PM	PRESERVING - FISH CONT'	DEBRA
5PM	BBQ THROW DOWN	JASON VS PAT
6PM	DUTCH OVEN MEALS	BILL
7PM	FLAT TOP GRILL EASY CAMP MEALS	SAFFRON

SATURDAY

10AM	MEET PROCESSING	PRO
11AM	CHORIZO SAUSAGE	JASON & PRO
12PM	FLAT TOP GRILL THROW DOWN	PRO VS PAT
1PM	CAMP COOKING FOR THE FAMILY	SAFFRON
2PM	PRESERVING - MEAL IN A JAR	DEBRA
3PM	BAKING IN THE DUTCH OVEN	BILL
4PM	KID COOK TOO THROW DOWN	ASH VS DAN
5PM	PRESERVING - MEAL IN A JAR CONT'	DEBRA
6PM	BASICS OF BACKYARD SMOKING	PAT
7PM	CRAB BOIL	BILL

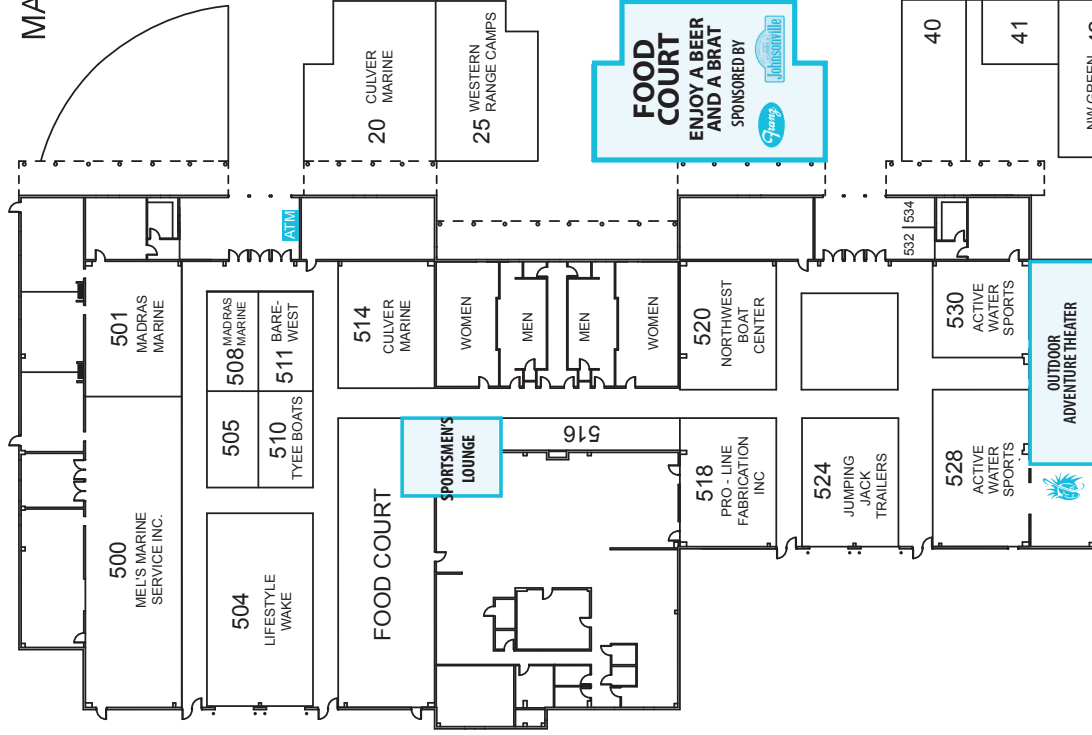
SUNDAY

10AM	OPEN TO PUBLIC	
11AM	CAMPSITE SUNDAY BRUNCH IDEAS	SAFFRON
12PM	DUTCH OVEN - BREAD	LIVE JUDGING
1PM	DUTCH OVEN - MAIN	LIVE JUDGING
2PM	DUTCH OVEN - DESSERT	LIVE JUDGING
3PM	AWARD CEREMONY	

The seminar schedule is subject to change. Every effort has been made to ensure accuracy until and through press time. Last-minute changes or additions are at the show office. Show admission refunds will not be granted due to a change in listing.

FLOOR PLAN

Middle Sister



MAIN ENTRANCE WILL CALL

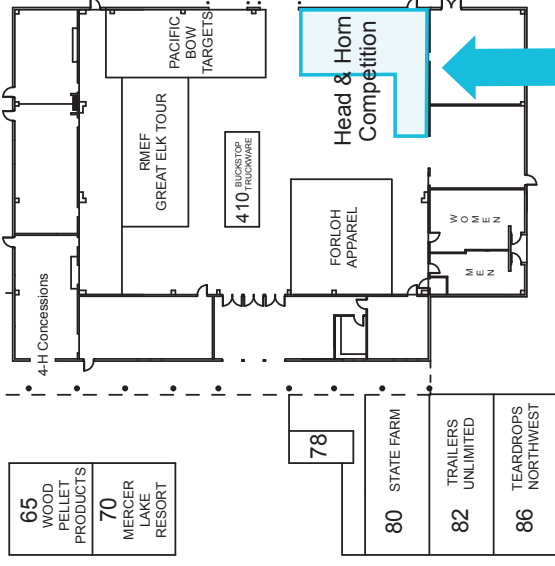
ADMIN. BLDG. FAIRGROUNDS OFFICE

50 RECRETEC MFG.

OFFICIAL FINANCIAL SPONSOR



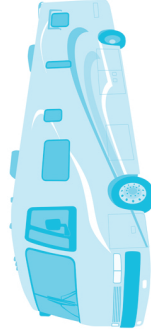
North Sister



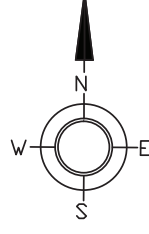
South Sister

PROUD HEAD & HORNS SPONSORS

44
BIG COUNTRY RV



FOOD COURT
ENJOY A BEER AND A BRAT
SPONSORED BY



ALL SEASONS RV & MARINE



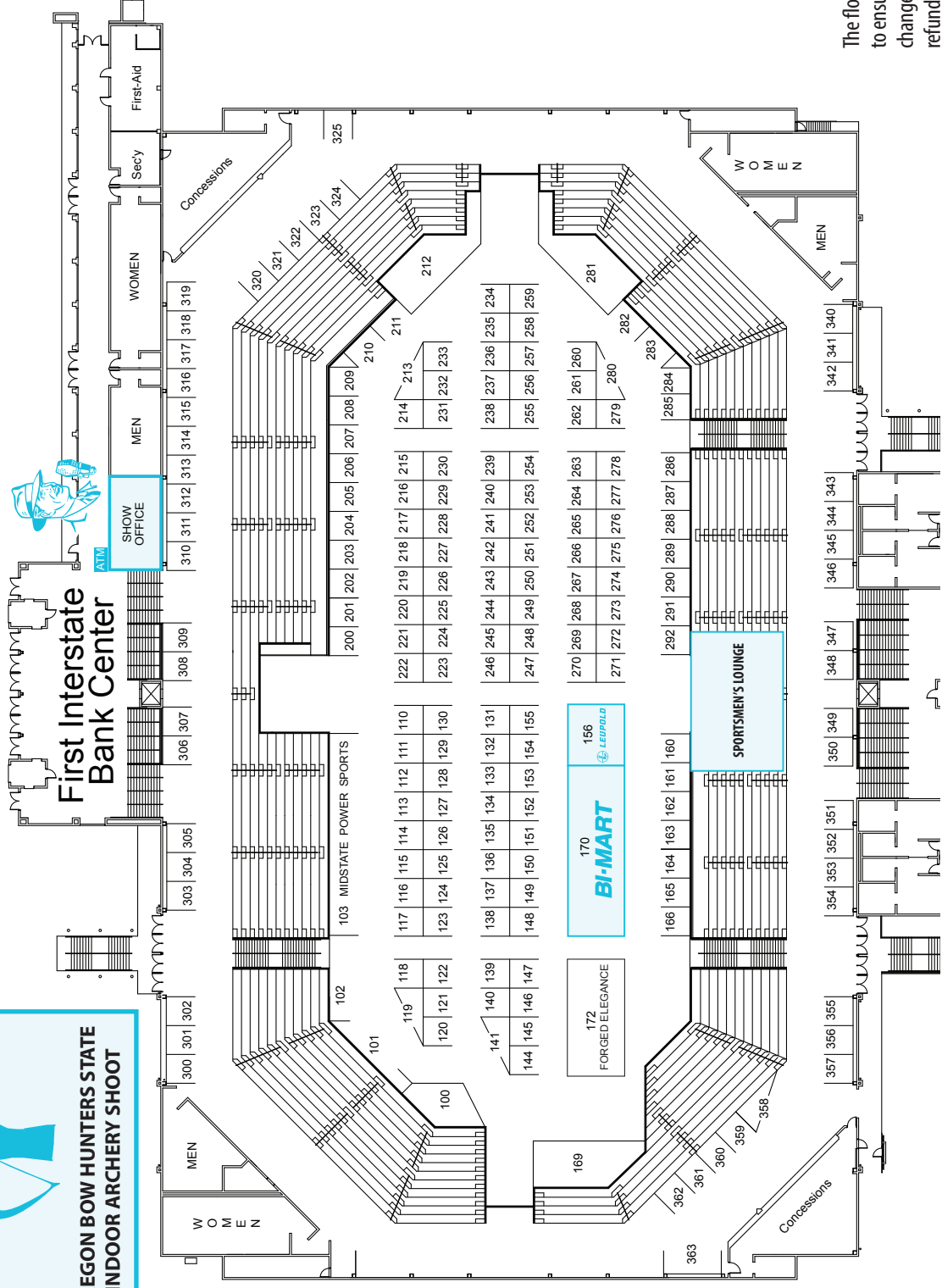
OUTDOOR
COOKING
COMPETITION

High Desert Activity Center



OREGON BOW HUNTERS STATE
INDOOR ARCHERY SHOOT

BEAVER COACH SALES & SERVICE



The floor plan is subject to change. Every effort has been made to ensure accuracy until and through press time. Last-minute changes or additions are at the show office. Show admission refunds will not be granted due to a change in listing.

PRODUCT CATEGORY LIST

The category list is subject to change. Every effort has been made to ensure accuracy until and through press time. Last-minute changes or additions are at the show office. Show admission refunds will not be granted due to a change in listing.

AFRICAN SAFARIS / HUNTS

BERGZICHT GAME LODGE	117
FW SAFARI	151

AFTERMARKET TRUCK ACCESSORIES

BUCKSTOP TRUCKWARE	410
PERFORMANCE AUTHORITY	124
POWER EDGE MOTOR SPORTS	355
PRO-LINE FABRICATION	518
SPENCER AIRCRAFT	358

ALASKA FISHING

ALASKAS BOARDWALK LODGE	161
EAGLE CHARTERS	267
GREEN ROCKS WILDERNESS LODGE	207
ISLAND POINT LODGE	123
RW'S BIG EDDY RESORT	146

APPAREL

AMERICAN PATRIOT HAT	316
BOW AND ROD	303
FORLOH INC. NORTH SISTER	
IMPERIAL YARN	127
KAKADU TRADERS AUSTRALIA INC	248
WAPITI NATION	345

ARCHERY PRODUCTS

ANNIHILATOR BROADHEADS	150
CENTRAL CASCADES ARCHERY	169
KUDUPOINTUSA LLC	242
NORTH AMERICAN HUNTING COMP.	238
PACIFIC BOW TARGETS	NORTH SISTER

ARCHERY RANGES

CENTRAL CASCADES ARCHERY	169
PACIFIC BOW TARGETS	NORTH SISTER

ART / HOME DECOR

FORGED ELEGANCE	172
HIGH DESERT CARVERS	301
LEONARD LOCATIS WOODEN PAINTINGS	284
LOW READY DESIGN	252
OREGON FLAG AND POLE	204
PUDDING RIVER WOOD CARVING STUDIO	212
TREASURE INVESTMENTS CORP	154

ASSOCIATION / NON PROFIT / GOV'T AGENCY

CENT. OR. PUBLIC SAFETY CHAPLAINCY	311
CENT. OR. SHOOTING SPORTS ASSN	153
CENTRAL OREGON SIDE BY SIDE	308
DELTA WATERFOWL	218
DESCHUTES REPUBLICANS	318
DESCHUTES NATIONAL FOREST	115
FDN. FOR N. AMERICAN WILD SHEEP	277
GLOBAL STAR	255
HIGH DESERT FRIENDS OF THE NRA	250
HUNT OF A LIFETIME FOUNDATION	228
MILITARY ORDER OF THE PURPLE HEART	314
NON LEAD HUNTING EDUCATION	268

PRINEVILLE BLM	113
ROCKY MOUNTAIN ELK FOUNDATION	129
SNAKE RIVER EDA	111
THE FALLEN OUTDOORS	300
THE MARKETING ARM	313
VETERANS OF FOREIGN WARS	315

ATV'S / UTV'S

CENTRAL OREGON SIDE BY SIDE	308
MIDSTATE POWER PRODUCTS - KUBOTA	526
MIDSTATE POWER SPORTS	103
MILLERS ECONOMY AUTO	355
POWER EDGE MOTOR SPORTS	355
PRO CALIBER MOTORSPORTS BEND	286

AUTOMOTIVE / TRUCKS

GARY GRUNER CHEVROLET	60
-----------------------------	----

BBQ'S / GRILLS

TRAEGER PELLET GRILLS LLC	291
WOOD PELLET PRODUCTS	65

BC OUTFITTERS

ITCHA MOUNTAIN OUTFITTERS	244
---------------------------------	-----

BOAT DEALERS

ACTIVE WATER SPORTS INC	528, 530
ALL SEASONS RV & MARINE	46, 500
CLACKACRAFT RIVER BOATS	144
CULVER MARINE	20, 514
MADRAS MARINE	501, 508
MEL'S MARINE SERVICE INC	512, 513
NORTH FORK OUTDOORS/ DAVE SCADDEN PONTOONS	163
NORTHWEST BOAT CENTER	520
TYEE BOATS	510

CAMPING PRODUCTS

BAMBOO PILLOWS	368
BRAVO MANUFACTURING INC	281
CAMPFIRE FOODS NW	141
CLAKIT INC	245
DAVID TENT AND AUNING	359
STRIKE MASTER SURVIVAL TOOLS	233

CANDY

BEND FUDGE	340
------------------	-----

CARS / TRUCKS / MOTORCYCLES

WILDHORSE HARLEY DAVIDSON	100
---------------------------------	-----

COLORADO HUNTING

BEAVER CREEK OUTFITTERS	262
SD OUTFITTERS	239

DOG KENNELS / TRAINING

BAR-LEE SETTERS	222
-----------------------	-----

E-BIKES

SPENCER AIRCRAFT	358
------------------------	-----

ELECTRONICS

SPOT LLC	255
----------------	-----

FIREARM TRAINING

STAY CENTER LLC	231
-----------------------	-----

FIREARMS

COBRA TEC KNIVES	273
NORTHWEST RETENTION SYSTEM	278
OREGUNSMITHING LLC	271
STAYCENTER LLC	231

FISHING ACCESSORIES

CANYON OUTFITTERS	214
EDGE RODS	148
THWACKIT OUTDOORS	269

FISHING TACKLE - MANUFACTURER

EDGE RODS	148
-----------------	-----

FISHING TACKLE - RETAIL

BI-MART	170
ORGE OUTFITTERS	275
NW TACKLE SHACK	139

FOOD AND BEVERAGE

503 DISTILLING INC	243
A TASTE OF EDEN	235
B & D CUSTOM MEATS	118
BEST DAMN BBQ SAUCE	343
CASCADE SPIRITS	102
DANS SMOKED SALMON	213
FRANZ	FOOD COURT
FOR THE LOVE OF PASTA	348
JOHNSONVILLE	FOOD COURT
JUST RUM	304
MINUTE MEN COFFEE	265
PEPPER PREPPERS	305
PILGRIM'S ROASTED NUT'Z	307
PILOT HOUSE DISTILLING	350
SMOKEY BAG JERKY	274
THE OLIVE BRANCH	234
VITAMIX	349
WILD ROOTS VODKA	102
WHISKEY FLATS GOURMET FOODS	119

FOOTWEAR

DANNER	HEAD AND HORNS
--------------	----------------

GUN CLUB / RANGE

REDMOND ROD AND GUN CLUB	241
--------------------------------	-----

GUN SAFES

FORT KNOX NORTHWEST	131
NORTHWEST SAFE SALES	200

GUN SUPPLIES

NW SCOPE PRO	258
NORTHWEST RETENTION SYSTEMS	278
OREGUNSMITHING	271
STAY CREEK LLC	221

TED BLOCKER HOLSTERS	122
WESTERN CASE	280

HOUSE PAINTING

SMILE A MILE PAINTING	312
-----------------------------	-----

HUNTING PRODUCTS

CAMPFIRE FOODS NW	141
GERBER GEAR	HEAD AND HORNS
KUDUPOINTUSA LLC	242
LEUPOLD & STEVENS INSTRUMENTS INC	156
MAVEN	134
N. AMERICAN HUNTING COMPETITION	238
NORTHWEST SCOPEPRO	258
OSPREY SCOPES	260
PURSUE THE WILD WITH KRISTY TITUS	220
RUGGED MAPS	160
TED BLOCKER HOLSTERS	122
TRACT OPTICS	120

IDAHO HUNTING

BITTERROOT MOUNTAIN OUTFITTERS	147
--------------------------------------	-----

INSURANCE / FINANCIAL

AIRLINK CRITICAL CARE TRANSPORT	225
COUNTRY FINANCIAL	121
EDWARD JONES	206
FARMERS INSURANCE	279
SELCO CREDIT UNION	502
STATE FARM	80

INTERNATIONAL FISHING / HUNTING

FW SAFARIS	151
KAWEKA HUNTING ADVENTURES	130

JEWELRY

PURSUE THE WILD WITH KRISTY TITUS	220
---	-----

KNIVES / SHARPENERS

COBRA TEC KNIVES	273
CUTCO CUTLERY	266
GERBER GEAR	HEAD AND HORNS
GODDARD KNIVES	346
NORTHWEST SCOPEPRO	258
TEXAN KNIVES	140

LOTIONS

HAWAIIAN MOON	347
---------------------	-----

MAPS

RUGGED MAPS	160
-------------------	-----

MARINE ACCESSORIES

BAREWEST WAKEBOARD & FISH TOWERS	511
--	-----

MARINE SERVICE / REPAIR

CULVER MARINE	20, 515
---------------------	---------

MEATS / MEAT PRODUCTS

B & D CUSTOM MEATS	118
DANS SMOKED SALMON	213
SMOKEY BAG JERKY	274

MEDIA

HARROD OUTDOORS	263
-----------------------	-----

METAL FABRICATORS

PRO-LINE FABRICATION INC	518
--------------------------------	-----

MONTANA FISHING / HUNTING

BARTLETT CREEK OUTFITTERS	116
DAYLIGHT CREEK ADVENTURES	166

NEW ZEALAND HUNTING / FISHING

KAWEKA HUNTING ADVENTURES	130
---------------------------------	-----

OPTICS

LEUPOLD & STEVENS INSTRUMENTS INC	156
MAVEN	134
OSPREY SCOPES	260
TRACT OPTICS	120

OREGON FISHING

FOUR RIVERS GUIDE SERVICE	110
PREDAWN ADVENTURES	219

OREGON HUNTING

PREDAWN ADVENTURES	219
STEENS WILDERNESS ADVENTURES	246

PACKS / BAGS

CLAKIT INC	245
WESTERN CASE	280

PADDLE SPORTS

CANYON OUTFITTERS	214
NORTH FORK OUTDOORS/ DAVE SCADDEN PONTOONS	163
RECRETEC MFG	50
RIVER TRAILS RAFTING	126

PERSONAL PROTECTION

COBRA TEC KNIVES	273
------------------------	-----

PET SUPPLIES

PURINA ANIMAL NUTRITION	253
THE DOGFATHER	309
THE WET NOSE	325

RAFT FRAMES

RECRETEC MFG	50
--------------------	----

RECREATIONAL PROPERTIES

LAND & WILDLIFE	223
-----------------------	-----

RV ACCESSORIES

BAMBOO PILLOWS	323
----------------------	-----

RV'S

ALL SEASONS RV & MARINE	46, 501
BEAVER COACH SALES & SERVICE	48
BIG COUNTRY RV	44
TEARDROPS NORTHWEST	84
JUMPING JACK TRAILERS	524

RV SERVICE

WESTERN RANGE CAMPS	35
---------------------------	----

SAFES

FORT KNOX NORTHWEST	131
NORTHWEST SAFE SALES	200

SHELTERS / STORAGE SYSTEMS

CENTRAL OREGON POLE BUILDINGS	236
NW GREEN PANELS	42
RMAC POLE BUILDINGS	136
WEB STEEL BUILDINGS NORTHWEST	306

SPECIALTY GIFTS

CLICK HEAT	302
LESANTE NUTRITION	344
LIGHTHOUSE CAVALCADE	351
MAGIC MASSEUSE	320
ROGUE LIMITED	341
TREASURE INVESTMENTS CORP	154

SPIRITS

503 DISTILLING INC	243
CASCADE SPIRITS	102
JUST RUM	304
PILOT HOUSE DISTILLING	350
WILD ROOTS VODKA	102

SPORTING GOODS

BI-MART CORPORATION	170
HEAT WAVES	235
SPORTSMEN'S WAREHOUSE	208

SUNGLASSES

THE SUNGLASS GUY INC	247
----------------------------	-----

SURVIVAL / FIRST AID PRODUCTS

STRIKE MASTER SURVIVAL TOOLS	233
------------------------------------	-----

TRACTORS

KUBOTA	526
MIDSTATE POWER PRODUCTS	526

TRAILERS

JUMPING JACK TRAILERS	524
-----------------------------	-----

TRAVEL / RESORT / TOURISM

GRAYS HARBOR TOURISM	215
ILL FLY AWAY BALLOON ADV.	40 OUTSIDE
MVM ENTERPRISES	319
NESKOWIN CREEK RV RESORT/ SPR OF OREGON	232

TV / PHONE / INTERNET PROVIDERS

JUNIPER SATELLITE	257
SPOT LLC	255

UTAH HUNTING

S D OUTFITTERS	239
----------------------	-----

WALL TENTS / STOVES

BRAVO MANUFACTURING INC	281
DAVIS TENT	359

WASHINGTON FISHING

PACIFIC FIN CHARTERS	256
PACIFIC SALMON CHARTERS	270
TWISTED HORN OUTFITTERS	216

WYOMING HUNTING / FISHING

TWISTED HORN OUTFITTERS	216
-------------------------------	-----

SEMINARS

THURSDAY - 3/11

12:30pm	Joshua Pardee	Central Oregon Monsters - Trout Edition
1:30pm	Richy Harrod	Bowhunting Techniques for PNW Elk
2:30pm	Alex Sackerson	Central Oregon Waterfowling
3:30pm	VIP Outdoors	Salmon on the 3.5 Spinner
4:30pm	Brian Dallas	Using Technology to Stay Safe Outdoors
5:30pm	Randy Newberg	Q & A Elk Hunting Public Lands
6:30pm	Gary Madison	Successful Predator Calling

FRIDAY - 3/12

12:30pm	John Aldridge	Do's & Dont's of Wall Tenting
1:30pm	Rich Bryan	Oregon's Inland Fishing - Kokanee, Trout, Chinook
2:30pm	Randy Newberg	Q & A Elk Hunting Public Lands
3:30pm	Ed Iman	An Introduction to Family Fishing on the Columbia
4:30pm	Alex Sackerson	Central Oregon Waterfowling
5:30pm	Shane Magnuson	Upper Columbia Summer Salmon
6:30pm	Richy Harrod	D.I.Y. Backcountry Hunts

SATURDAY - 3/13

10:30pm	PRO VIP	Salmon on the 3.5 Spinner
11:30pm	Richy Harrod	Upland Birds on Public Land
12:30pm	Randy Newberg	Q & A Elk Hunting Public Lands
1:30pm	Shane Magnuson	Walleye Techniques
2:30pm	Joshua Pardee	Upper Deschutes Salmon Plan - They're Almost Back
3:30pm	Gary Lewis	How to Become a Bear Hunter
4:30pm	Ed Iman	Calling All Kids - Let's Go Fishing
5:30pm	Rich Bryan	Oregon Kokanee - O'Dell, Wickiup, Detroit
6:30pm	Brian Dallas	Using Technology to Stay Safe Outdoors

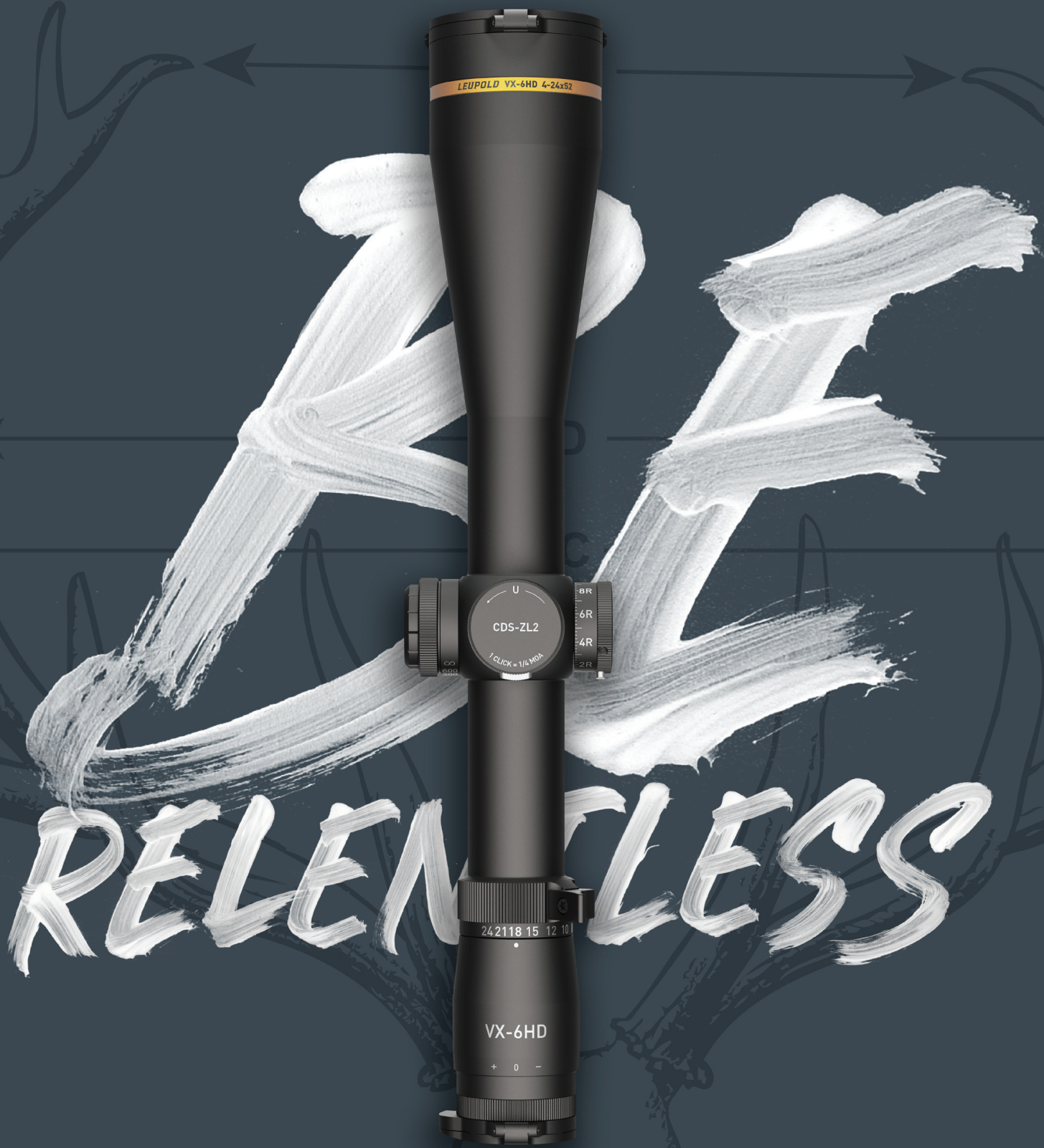
SUNDAY - 3/14

10:30pm	Randy Newberg	Q & A Elk Hunting Public Lands
11:30pm	Rich Bryan	Tips & Tactics for Kokanee - An Introduction
12:30pm	Gary Lewis	Your Best Deer Season Ever
1:30pm	Joshua Pardee	Central Oregon Monsters - Bass Edition
2:30pm	Gary Madison	Predators 101



REASONS TO ATTEND

- ⊙ **Join us in celebrating 22 years!** Thanks to Central Oregon's gracious support the Central Oregon Sportsmen's Show continues to grow and evolve as the ebb-and-flow of exhibitors and exhibits changes with the passing years. See the latest in hunting, fishing, RV's, boats and outdoor recreation along with wildlife art, apparel, food and things to do --- it's fun for one or the whole family!
- ⊙ **Randy Newberg.** Celebrated hunter and public lands and public access advocate, Randy Newberg is joining us this year. We're thrilled! He'll be at the show and delivering a daily Q&A session on hunting elk on public lands. This is a special opportunity for local hunters to connect with one of the world's best. Randy's skilled, accessible, easy-to-talk-to and helpful.
- ⊙ **Outdoor Cooking Competition!** The first-ever Central Oregon Sportsmen's Show Outdoor Cooking Competition is set for this year's show. Top outdoor cooks will be competing in this competition for important points needed to qualify for national and international championships. It's one day, all-day Sunday with a focus on Dutch Oven cooking. Bread, main course and dessert are the three challenges of this competition. This is a first-ever event and an opportunity to get started with Dutch ovens or hone your already prodigious skills with advice from the best!
- ⊙ **Head & Horns above the rest.** Want to be impressed? Even if you don't hunt you have to check these bodacious trophies out, they're well worth seeing. If you do hunt you'll be blown away by the size of some of the mounts. And if you have a set of horns, antlers or a head that you'd like measured and scored this is the place to bring it. We have folks certified to measure and score your trophy and if it's a winner the prizes are incredible! As if bagging a record animal wasn't reward enough. . . Special thanks to Fort Knox, RMEF, Gerber, Danner, Leupold, Rage, Muzzy and Ruger, as the presenting sponsors of this popular show feature.
- ⊙ **Oregon Bow Hunters.** The Central Oregon Sportsmen's Show would like to extend a warm welcome to the Oregon Bow Hunters who will be holding their Indoor State Archery Shoot at the show! Dozens of archers will be at the show with their eye trained on the bullseye.
- ⊙ **Leupold.** The Presenting Sponsor of the Central Oregon Sportsmen's Show is Leupold, makers of premium optics for hunting, boating and outdoor recreation. They're offering a \$20 gift card for every \$100 of product(s) purchased at their booth. Be sure to check out what's new as well as their recently introduced sunglasses.
- ⊙ **RMEF show trailer.** The Great Elk Tour Trailer is coming to Central Oregon thanks to the Rocky Mountain Elk Foundation. This world-class exhibit features some record mounts, merchandise for sale and giveaway items.
- ⊙ **Kid's day!** Saturday is "Kid's Day" with a couple kid-friendly features this year. Stop-by the cooking area anytime during the day to make "Campfire chocolate bananas". . .yum!!! Also, Ed Iman will be hosting his "Calling all kids" fishing seminar at 4:30. Unfortunately, this year, there is no trout pond. COVID restrictions just wouldn't allow it.
- ⊙ **Shop the sales.** There are lots of items on sale at the Central Oregon Sportsmen's Show. . .deeply discounted sale items. Boats, clothes, tackle, camping and cooking equipment, knives, rods and reels, RV's, ATV's, food items, jewelry, art, ammo and much, much more!
- ⊙ **RV's and trailers!** If you're shopping RV's this is the place to go! With 7 dealers in the show this is undoubtedly the biggest RV sale to hit Central Oregon in some time. All Seasons RV & Marine, Beaver Coach, Big Country RV, Jumping Jack Trailers, Trailers Unlimited and Western Range Camps, Teardrops Northwest are all expected to be at this year's show. Shop and compare, side-by-side, it's a wonderful opportunity to see a lot of different units in one place.
- ⊙ **Learn from the pro's!** Randy Newberg, Gary Lewis, Alex Sackerson, Richy Harrod, Brian Dallas, John Aldridge, Ed Iman, Joshua Pardee and Gary Madison, they're all here along with dozens of others who will be working the show in sponsor booths. From "How to become a bear hunter" and "Upland birds on public lands" to "Walleye Techniques", "Tips and Tactics for kokanee", "Predators 101" and "Using technology to stay safe outdoors", and much more, it's the most complete hunting and fishing seminar series anywhere in the country. Take advantage of this rare opportunity and come armed with questions that only they have the answer to.
- ⊙ **Hit the target.** Interested in archery? You'll find some great names and products at the Central Oregon Sportsmen's Show. Annihilator Broadheads, Central Cascades Archery, Kudupoint USA, North American Hunting Competitions and Pacific Bow Targets all have booths at the show. Pacific Bow Targets will have an archery simulator you can try your hand at, and their 3D targets are the rage. . .see for yourself.
- ⊙ **It's a boat show too!** It's a show within a show! Several boat dealers are coming to town and adding to the long list of things to see and buy. Motorized or "non-motorized", no problem! If you're in the market for a boat, you'll strike your best deal here.
- ⊙ **Plan your vacation.** The Central Oregon Sportsmen's Show is the ideal opportunity to plan your 2021 and 2022 adventure. As we like to say, "Great adventures far and near start here." From close-by guide trips for a variety of fish and wildlife species to more ambitious trips out of state or country, you'll find plenty of options to consider at the show!
- ⊙ **Hunting Accessories.** What makes a "sportsmen's show a sportsmen's show"? Hunting gear and equipment. This show has an abundance of both including LOTS of hunting accessories and companies that specialize in hunting and gun accessories of all descriptions.
- ⊙ **What are the optics?** Leupold, Osprey, Tract Optics and Maven are all must-stop booths if you're interested in optics like scopes, spotting scopes and binoculars. They'll bring your hunting into focus. And if you're looking to protect your scope from the elements then you'll want to stop by the Northwest Scope Pro booth and check out their scope covers.
- ⊙ **Safe haven.** Looking for a safe? They're here. . .check out the Fort Knox and Northwest Safe Sales booths.
- ⊙ **Do you have an EDGE?** Would you like one? Edge Rods will be at this year's show with some of the finest rods produced on planet earth. Designed by rod designer extraordinaire, Gary Loomis, expect to see an impressive line-up of gear, for sale, in their booth this year. Edge will also be bringing their rafting accessories and popular oars.
- ⊙ **Good dog.** We love our dogs! If you're looking for guidance in making your good dog. . .great. . .then check-in with our friends at Bar-Lee Setters. They offer manners, obedience and gun training for all breeds. And if you're looking for supplies for your pooch, The Dogfather is back with a range of dog supplies.
- ⊙ **Truck Accessories.** Looking to upgrade your truck for serious off-road use? We have Buckstop Truckware, Performance Authority, Power Edge Motorsports and Pro Line Fabrication joining us this year. If you can't find the bumper, lighting system, winch, storage box or truck accessory you're looking for, it's likely it doesn't exist. Do your truck a favor and do some shopping at these exceptional companies.



VX-6HD

**RUGGED PERFORMANCE.
RELENTLESS CLARITY.**

